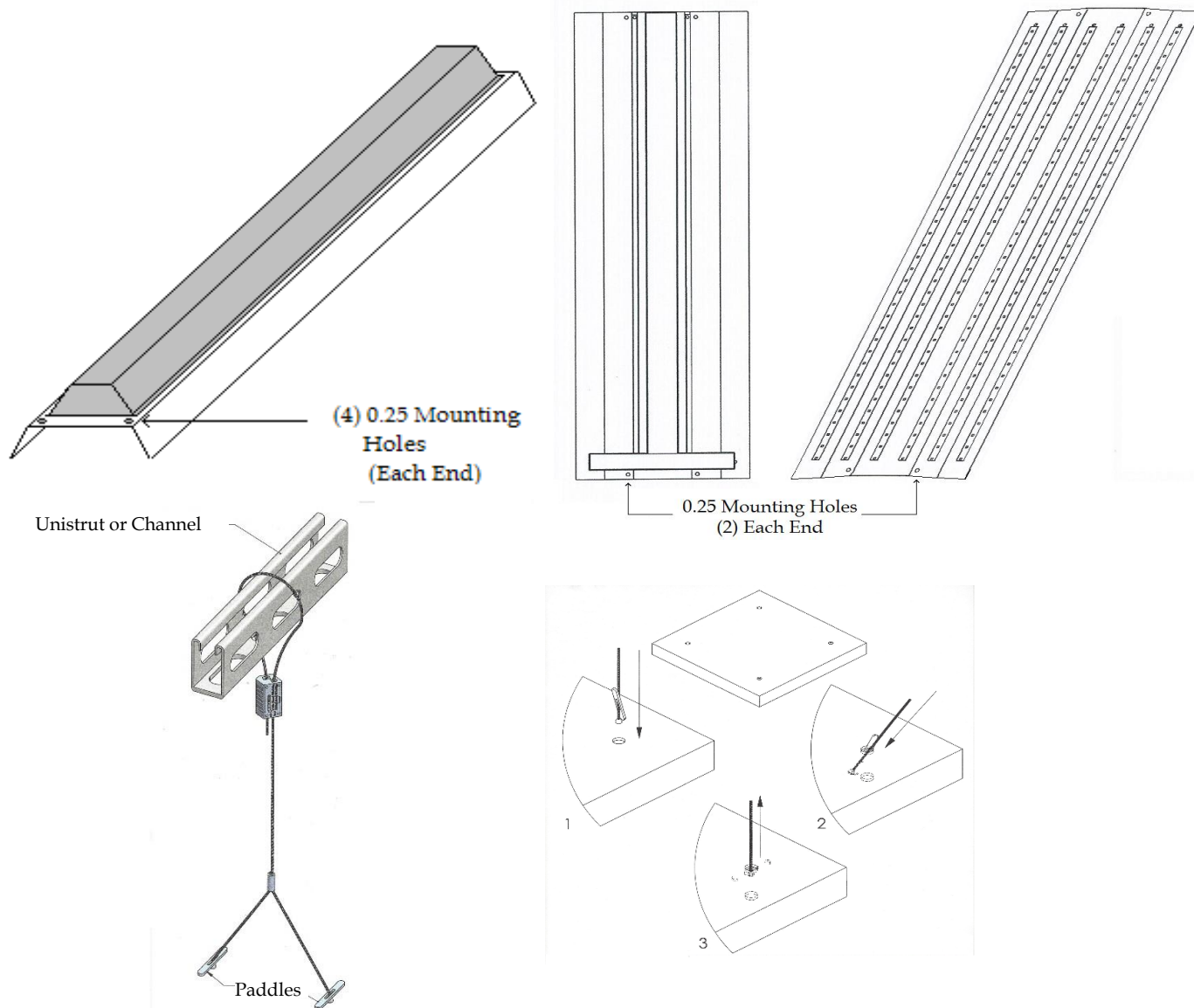


Mounting Instructions

High & Low Bay Lighting

- * These lights are designed to be mounted using the 4 (0.25dia.) mounting holes shown on the drawings below. Either using chains and S hooks, or cable mounting systems with paddles. (See diagram below)



Note: Mounting chains and cable mounting systems are not provided with each light, unless requested.

" Caution"

- * Injury to person and damage to the light and/or mounting surface may result if the light is pulled from the surface.
- * Always mount light only to a surface that is mechanically sound to reduce the likelihood of such injury or damage.
- * Installation shall not be made on a radiant-heat ceiling.
- * This unit is intended to be installed directly beneath a ceiling rectangle.