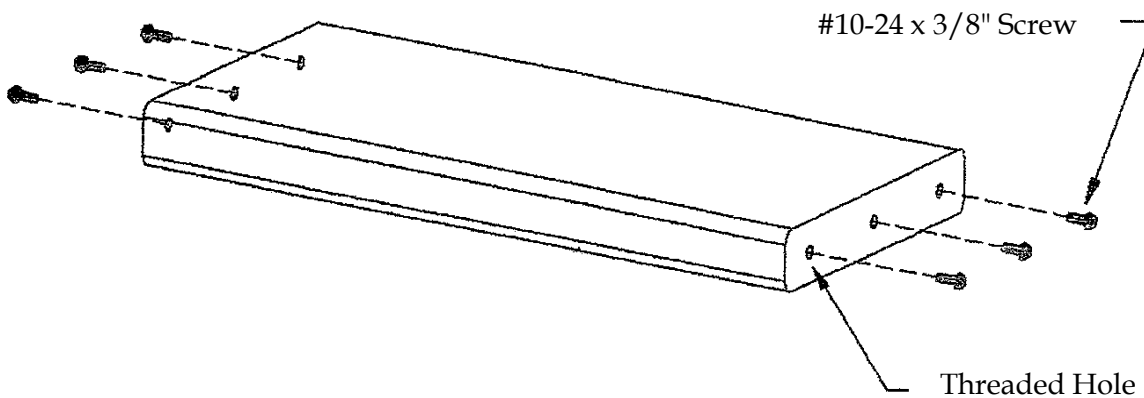




Mounting Instructions

2100 Series Workstation Lighting

- * The light is designed to be mounted using the pre-threaded holes on each end of the fixture.
- * At least two screws per end are required to safely hold the fixture in place.



* Installation *

1. Position light between two vertical surfaces or mounting brackets that are designed to support the weight of the fixture.
2. Insert screws through mounting surface into threaded holes on each end of light fixture and tighten securely.

Note: Screws may or may not be provided with the light.

" Caution "

- * Injury to person and damage to the light and/or mounting surface may result if the light is pulled from the surface.
- * Always mount light only to a surface that is mechanically sound to reduce the likelihood of such injury or damage.