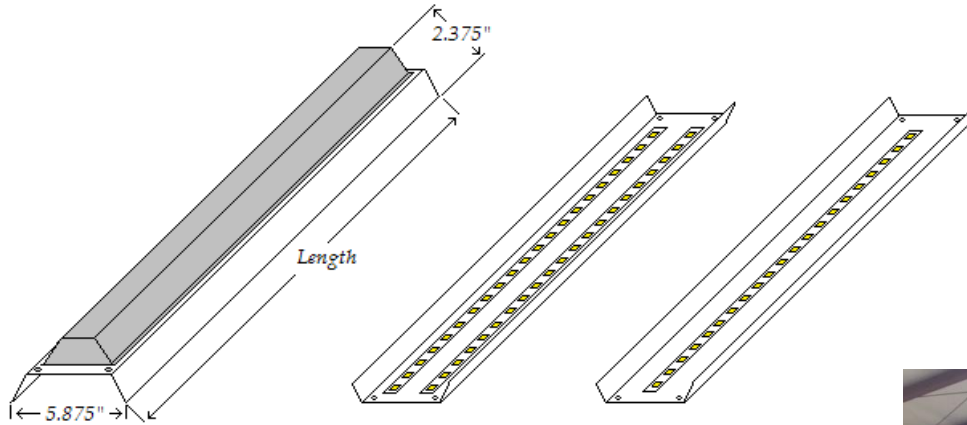




5500 Series LED Low Bay Lighting

The High Q Model 5000 series fixtures are designed for lower ceiling heights, and are designed to attach with chains or available cable hanging kits.



Standard Product Specifications

- * Housing 20 gauge steel construction, with Sky White powder coating.
- * G90 Galvaneal Cover
- * 1 or 2 LED Modules & Driver (described below)
- * 1 LED strip equals 2 standard T5, or 1 High Output T5 lamps
- * Driver input voltage 100 - 240
- * Black Straight Plug Cord Set
- * Three year warranty on fixture.

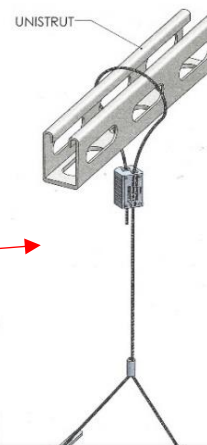
Product Information

HQL Model Number	Module Length	Fixture Length	Quantity of Modules
55148-L	4'	48"	1
55248-L	4'	48"	2
55272-L	3'	72"	4
55296-L	4'	96"	4



Available Options and Accessories

- * Cable Hanging Kits
- * 90 degree SW rotation plug
- * 11" Nylon Cable Ties
- * Occupancy Sensor



These lights conform to the National Electrical Code, and are UL listed.